

SPOT CLINCH® 0404 IP Auto

Light and fast clinching tool

- 100% pneumatic hand tool
- High speed clinching
- Pre-stroke 45 mm with self locking safety
- Automatic jaw closing
- One-hand operation possible



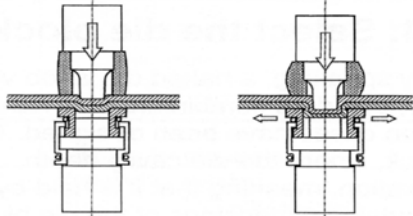
ATTEXOR Clinch Systems

SPOT CLINCH® 0404 IP

High quality joining without fasteners

When clinching two or more layers of sheet metal, the material is deformed plastically inside a die through a squeezing process between punch and anvil. The joint is created as the material flows laterally pushing out the die walls.

The result is a high quality joint, without need of consumables such as screws or rivets, and without disturbing the coating, eliminating the need for post touch-up work as occurs with welding.



The built-in easy end-of-stroke setting nut of the SPOT CLINCH® 0404 IP has the ability to run various applications. In addition, the flexibility of the SPOT CLINCH® tool kits allows for clinching various thicknesses and material combinations without re-setting the tooling.

A plug-and-play hand tool for jobsite

This radically new and extremely productive clinching tool is a plug-and-play light weight portable fastening tool, particularly suited for jobsite assembly. It is 100% pneumatic, and is actuated by a built-in mechanical amplifier producing the high tool force required for a quality clinch joint.

One-hand operation

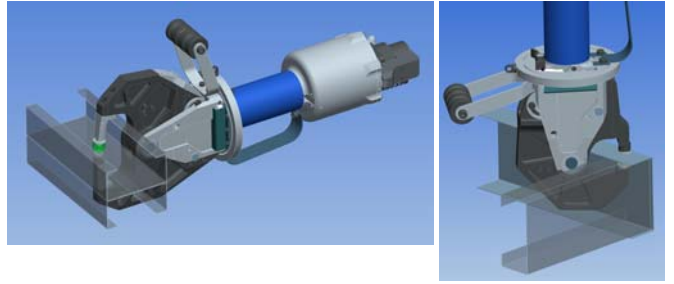
The unique patented self-locking mechanism offers comfort and safety to the operator and allows easy access due the large opening of the jaw. The operator controls both the soft closing/opening jaw actuator and work stroke producing the joint with one hand. The light weight (4kg / 9 lbs) and the one-hand control allows the operator to use the free hand for holding in place the parts to be joined.

Short pay-back

Due to the high productivity, long lasting tooling, and the absence of any consumable or any heavy installation such as hydraulic power pack or electric tranformer, the investment pay-back can be exceptionally short.

Tool kits

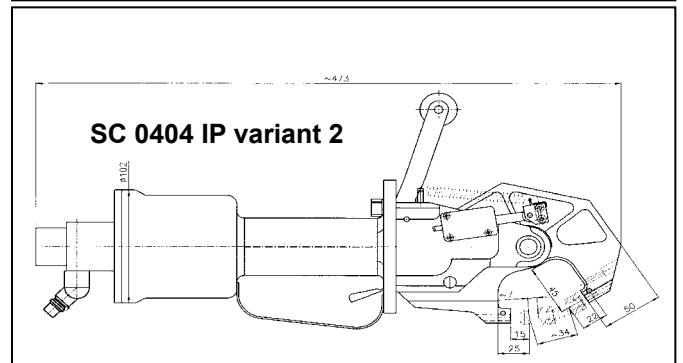
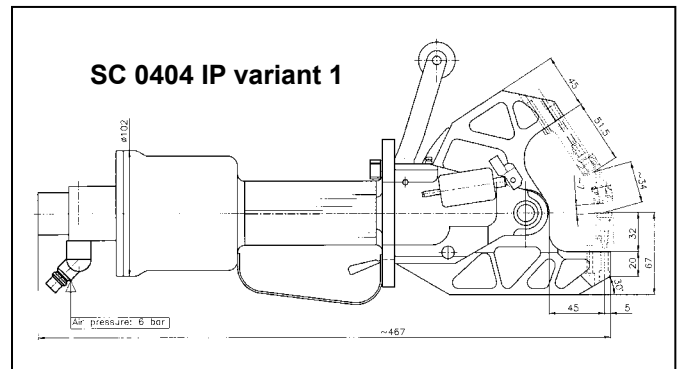
The tool kits are to be selected from the original SPOT CLINCH® series ST 432 (rectangular) or SR502/SR503 /SR504 (round) as function of the application



Accessories

The tool is delivered complete, ready for operation. An air preparation unit, a rotating suspension ring and a balancer are available as options.

Main dimensions



Technical specifications

Total weight , approx.	4.5 kg	9.9 lbs
Working air pressure	6 bar	87 psi
Tool force at 6 bar	35 kN	77 klbs
Cycle time	0.7 to 1.2 s	
Work stroke, closed jaw	6.5 mm	1/4"
Total stroke, open jaw	35 mm	1"3/8
Depth of jaws	44 mm	1" 3/4
Max. total sheet thickness, mild steel	3.0 mm	0.12"
Max. total sheet thickness, stainless St	2.0 mm	0.08"